

DC-Load break switch Model S5000 – 850A 1000V DC21B

Electrical data (according to IEC 60947-3)

Thermal current I_{th} (-30 to 50 °C) 1250A

Rated insulation voltage U_i (V) 1000
Rated impulse withstand voltage U_{imp} (kV) 12

DC Rated operational current I_e (A)

Voltage (DC)	Category of operation	I _e
400 V	DC21B	1250
600 V	DC21B	1250
800 V	DC21B	1000
900 V	DC21B	870
1000 V	DC21B	850

** Please consult for other voltages and/or category of operation

Short-circuit behaviour

Short-circuit making capacity (peak value)	I _{cm}	60kA
Short-time withstand current (1 sec) (rms)	I _{cw}	25kA
Conditional short-circuit current (rms value)		72kA
Maximum cut-off current (peak value)		55kA

Connection capacity

Bar (Thickness / Width) (mm)	2x10/50
Rigid cable (mm ²)	2x300
Max. Connecting copper bar (mm)	50
Tightening torque (N·m)	45

Mechanical data

Minimum number of operations (as per standard) without load	10000
Maximum weight (4 pole molded case) (kg)	7,6



Standards. IEC 60947-1 & 3

Quality Telergon, S.A.U.

ISO 9001 & 14001



Testing as per IEC 60947-3. Approvals

Austrian Institute of Technology



Codes

Case size (A)	Poles	Code	Code for direct handle
Size 3	4P	S5-12504PC0	DS-LI31



Accessories

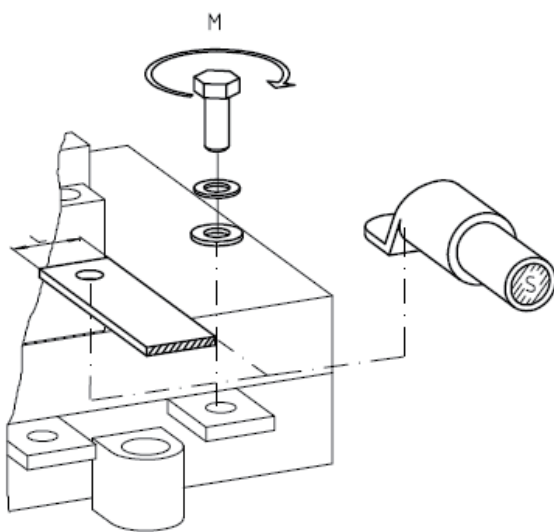
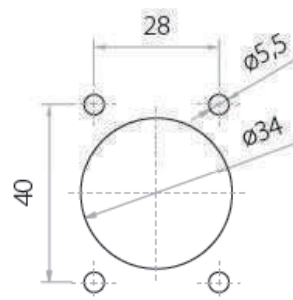
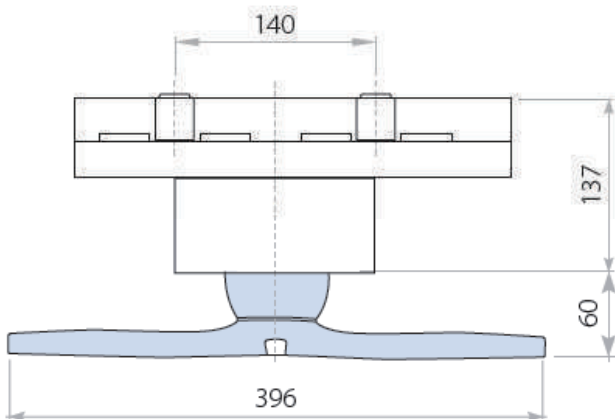
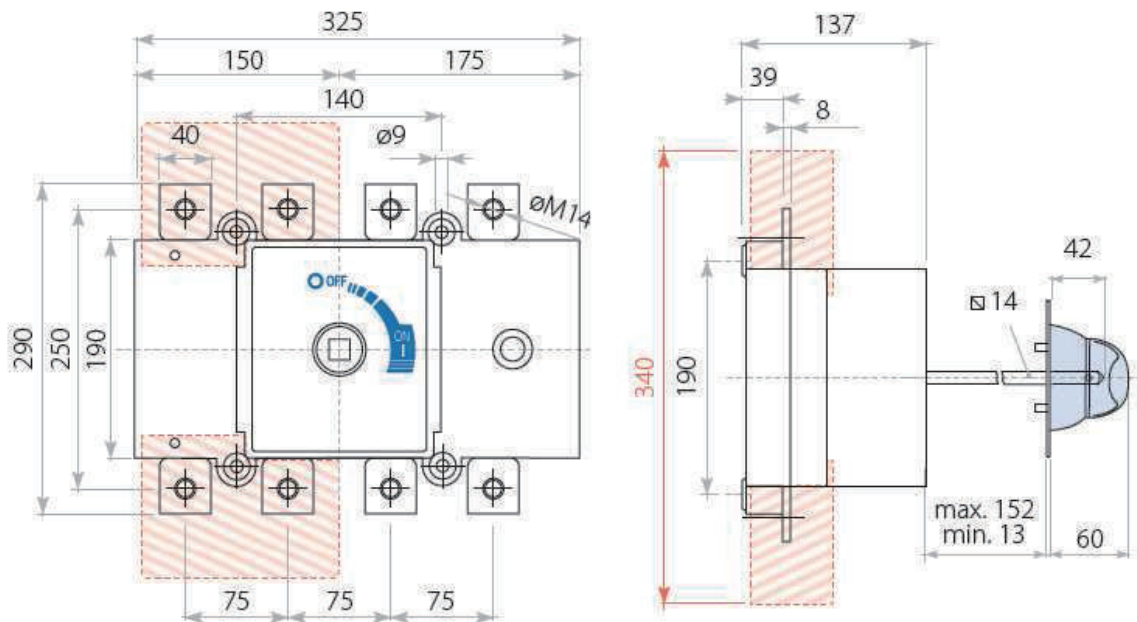
Panel handle	DS-LA31
Bridging links	DS-PI31
Protective plate	N/A
Auxiliary contact	D5LAU01



DC Switch-Disconnecter
S5-02004PRO

JDA JD Auspice Co., Ltd.

Note: Subject to change without any notice.



S5000	I _{th}	A	C	E	F	G	H	I	J	K	L	M	N	O	R		φP	Q	φT	M	N×m	S max. (Cu)mm ²	H max. L max. (Cu)mm (Cu)mm	
															MAX	MIN.							H	L
3	1250A	325	75	150	175	190	250	290	40	340	285	8	39	137	108	18	9	30	M14	45	2×300	2×10	50	



DC Switch-Disconnecter
S5-02004PR0

JDA JD Auspice Co., Ltd.

Note: Subject to change without any notice.